

TRIPOD SERIES

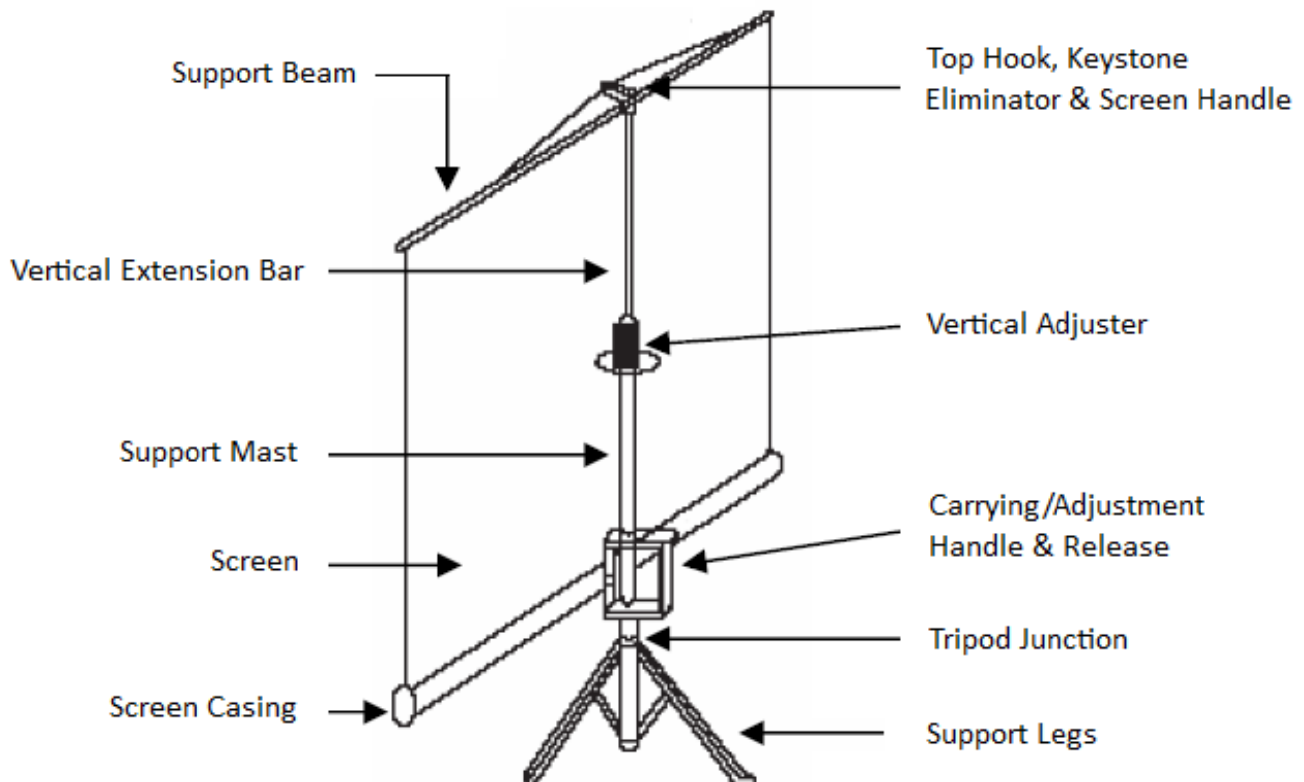
Section 1: Screen Design

1.1 What is it for?

Ideal for indoor and outdoor portable presentations, this proven and reliable design combines precision with the elegance of a traditional design.

1.2 How does it work?

The tripod rises and descends on a telescoping vertical support that has adjustable height settings and its keystone eliminator helps to facilitate numerous projector placement options for small to large group presentations. The screen's material retracts into a swivel-mounted casing while its collapsible tripod support reshapes this large presentation surface into an easily carried package.



Section 2: Screen Material

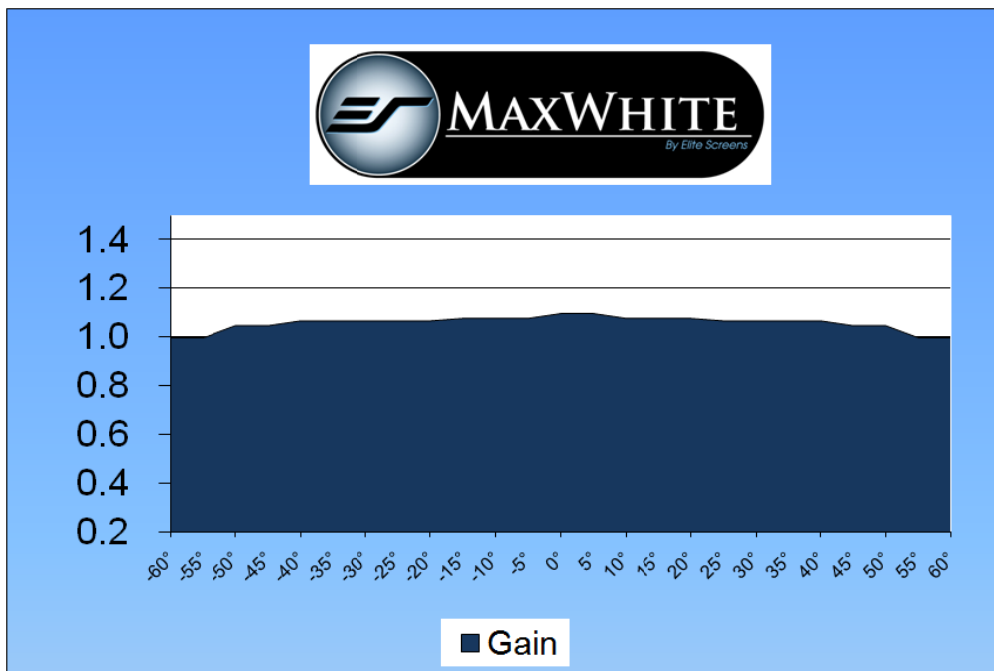
2.1 Characteristic

2.1.1 Woven Front Projection Screen Material

MaxWhite Screen Material is the most versatile screen surface for front projection presentations. This material provides the widest possible viewer angles with perfect diffusion uniformity while giving precise definition, image color reproduction and black & white contrast. Screen Surface has black backing to avoid light penetration and can be cleaned safely with mild soap and water. Woven screen material is a, multi-layer, cross-array coated with a matte white reflective compound.



- Gain: 1.1
- View Angle: 160° (80° LR)
- Screen Surface can be easily cleaned
- Multi-Layer Weave and Textured Surface Coating
- Mildew Resistant, Black Backing, Flame Retardant





2.2 Intertek Certification

Report No. 3096782SAT-001

Test Specimen: Elite Screen projection screen

Test Standard: ASTM E84-05

Test Date: October 11, 2006

Test Sponsor: Elite Screens

Test Results:

FLAME SPREAD INDEX = 60

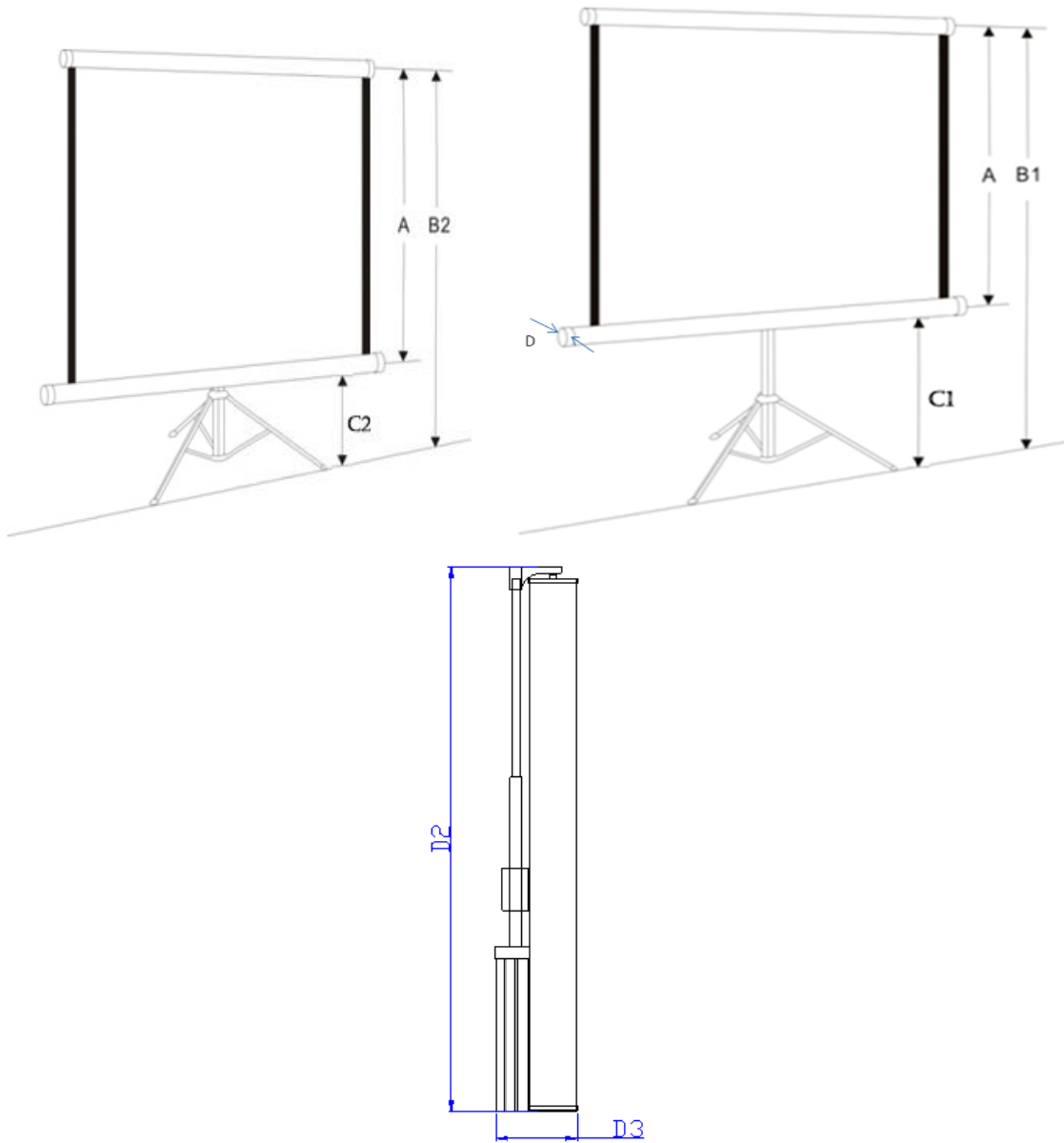
SMOKE DEVELOPED INDEX = 300

Section 3: Specification

3.1 Dimensions

Model	Nominal Diagonal	View Size H x W	Screen Size H x W (A)	Top of Screen at Highest Level [B1] (in.)	Top of screen at lowest level [B2] (in.)	Screen case at highest point height [C1] (in.)	Screen case at lowest point height [C2] (in.)	End cap size (D) inch.	Case length closed (D2) inch.	Case width closed (D3) inch.
T71NWS1	71"(1:1)	50"x50"	53"x53"	111.8	71.5	35.6	16.9	2.7	58.0	5.9
T71UWS1	71"(1:1)	50"x50"	53"x53"	111.8	71.5	35.6	16.9	2.7	58.0	5.9
T85NWS1	85"(1:1)	60"x60"	63"x63"	128.7	87.8	37.5	16.9	2.7	68.0	5.9
T85UWS1	85"(1:1)	60"x60"	63"x63"	128.7	87.8	37.5	16.9	2.7	68.0	5.9
T99NWS1	99"(1:1)	70"x70"	73"x73"	147.2	97.6	35.5	16.9	2.7	78.0	5.9
T99UWS1	99"(1:1)	70"x70"	73"x73"	147.2	97.6	35.5	16.9	2.7	78.0	5.9
T113NWS1	113"(1:1)	80"x80"	83"x83"	148.4	107.5	33.4	16.9	2.7	88.0	5.9
T113UWS1	113"(1:1)	80"x80"	83"x83"	148.4	107.5	33.4	16.9	2.7	88.0	5.9
T119NWS1	119"(1:1)	84"x84"	87"x 87"	148.4	111.8	37.1	16.9	2.7	91.9	5.9
T119UWS1	119"(1:1)	84"x84"	87"x 87"	148.4	111.8	37.1	16.9	2.7	91.9	5.9
T136NWS1	136"(1:1)	96"x96"	99"x99"	148.4	123.6	40.8	16.9	2.7	104.0	5.9
T136UWS1	136"(1:1)	96"x96"	99"x99"	148.4	123.6	40.8	16.9	2.7	104.0	5.9
T84UWV1	84"(4:3)	50"x67"	55"x70"	118.1	79.9	35.4	16.9	2.7	75.0	5.9
T100UWV1	100"(4:3)	60"x80"	65"x83"	139.4	89.8	53.4	16.9	2.7	88.0	5.9
T120NWV	120"(4:3)	72"x96"	77"x99"	148.4	102.0	65.0	16.9	2.7	104.0	5.9
T120UWV1	120"(4:3)	72"x96"	77"x99"	148.4	102.0	65.0	16.9	2.7	104.0	5.9
T92UWH	92"(16:9)	45"x80"	50"x83"	124.4	74.8	68.3	16.9	2.7	88.0	5.9
T100UWH	100"(16:9)	49"x87"	54"x90"	128.3	78.7	68.3	16.9	2.7	95.2	5.9
T120UWH	120"(16:9)	59"x105"	64"x108"	138.2	89.0	62.4	16.9	2.7	112.6	5.9
Model	Nominal Diagonal	View Size H x W	Screen Size H x W (A)	Top of Screen at Highest Level [B1] (mm)	Top of screen at lowest level [B2] (mm)	Screen case at highest point height [C1] (mm)	Screen case at lowest point height [C2] (mm)	End cap size (D) mm.	Case length closed (D2) mm	Case width closed (D3) mm
T71NWS1	71"(1:1)	50"x50"	53"x53"	284	181.6	905	430	69	1472	150
T71UWS1	71"(1:1)	50"x50"	53"x53"	284	181.6	905	430	69	1472	150
T85NWS1	85"(1:1)	60"x60"	63"x63"	327	223	953	430	69	1726	150
T85UWS1	85"(1:1)	60"x60"	63"x63"	327	223	953	430	69	1726	150
T99NWS1	99"(1:1)	70"x70"	73"x73"	374	248	902	430	69	1980	150
T99UWS1	99"(1:1)	70"x70"	73"x73"	374	248	902	430	69	1980	150
T113NWS1	113"(1:1)	80"x80"	83"x83"	377	273	848	430	69	2234	150
T113UWS1	113"(1:1)	80"x80"	83"x83"	377	273	848	430	69	2234	150
T119NWS1	119"(1:1)	84"x84"	87"x 87"	377	284	943	430	69	2335	150
T119UWS1	119"(1:1)	84"x84"	87"x 87"	377	284	943	430	69	2335	150
T136NWS1	136"(1:1)	96"x96"	99"x99"	377	314	1037	430	69	2641	150
T136UWS1	136"(1:1)	96"x96"	99"x99"	377	314	1037	430	69	2641	150
T84UWV1	84"(4:3)	50"x67"	55"x70"	300	203	900	430	69	1906	150
T100UWV1	100"(4:3)	60"x80"	65"x83"	354	228	1356	430	69	2234	150
T120NWV	120"(4:3)	72"x96"	77"x99"	377	259	1650	430	69	2641	150
T120UWV1	120"(4:3)	72"x96"	77"x99"	377	259	1650	430	69	2641	150
T92UWH	92"(16:9)	45"x80"	50"x83"	316	190	1734	430	69	2234	150
T100UWH	100"(16:9)	49"x87"	54"x90"	326	200	1735	430	69	2417	150
T120UWH	120"(16:9)	59"x105"	64"x108"	351	226	1586	430	69	2860	150
*Measurement dimensions are intended as a reference only and subject to change without notice										
Note:Data Error may be ± 1"										

3.2 Drawing



Section 4: Execution

4.1 Submittals

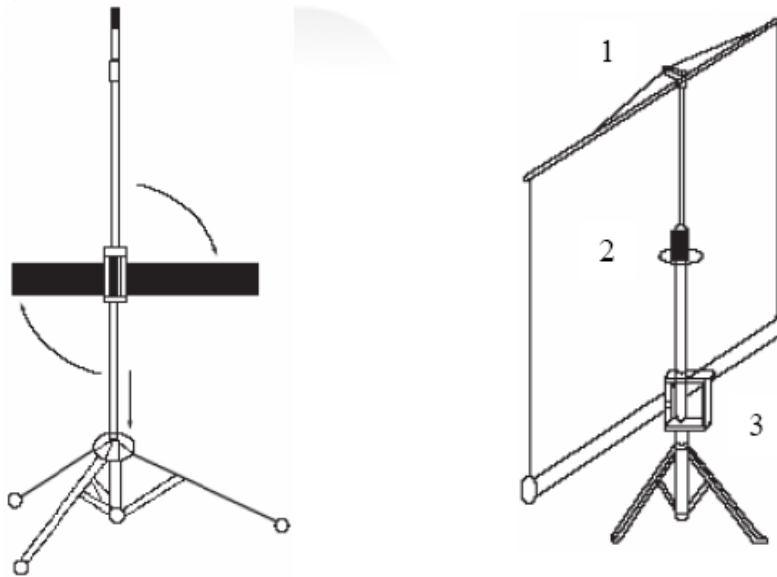
- Users Guide
- Product Catalog

4.2 Caution

1. To ensure the screen is stable, extend the tripod's legs as much as possible.
2. Do not fold the screen or allow any sharp objects to touch the screen's surface.
3. Clean the screen surface often when needed.
4. Careful use will extend the lifetime of this product.

4.3 Installation

1. Place the screen in an upright position with the legs toward the ground.
2. Deploy the Tripod Support legs by pushing down on the Tripod Junction.
3. Turn the screen casing in a 90-degree horizontal position so that the screen casing is now parallel to the ground with the screen handle facing the bottom of the top hook.



4. Pull the screen handle up vertically and hook the screen handle onto the Top Hook.
5. Use the Vertical Adjuster to position the appropriate height of the Vertical Extension Bar.
6. After using the Vertical Adjuster to (raise/lower) the Vertical Extension Bar and set the screen height at the top, Use the adjuster switch on the Carrying Handle to establish the level of the screen's bottom elevation. You can repeat steps 2-3-4 to adjust various top levels of screen height. Repeat 3&4 to adjust the bottom level screen height.

Section 5: Market With Product Availability



5.1 Where

- **America: Elite Screens Inc**
16410 Manning Way, Cerritos, CA 90703
Tel: 877-511-1211
Fax: 562-483-8498
info@elitescreens.com
www.elitescreens.com
- **Asia: Elite Screens China Ltd.**
Longxi Duimianling Industry Zone Longcheng, Longgang District,
ShenZhen GuangDong, China
Tel: +86-(0)755-8461-7989
Fax: +86-(0)755-8461-7669
info@elitescreens.com.cn
www.elitescreens.com.cn
- **Asia: Elite Screens Taiwan Corp.**
1F. No.38 Alley 22 Lane 66 Sec. 5 Nanjing E. Rd. Songshan District,
Taipei City 105, Taiwan (R.O.C.)
Tel: (02)2747-8979
Fax: (02)2747-8978
info@elitescreens.com.tw
www.elitescreens.com.tw
- **Europe: Elite Screens GmbH**
Lübecker Straße 1, 22087 Hamburg, Germany
Tel: +49-40-30392494
Fax: +49-40-49219200
info@elitescreens.eu
www.elitescreens.eu
- **France: Elite Screens France S.A.S**
11, Allée William Penn
92150 Suresnes, France
Tel: +33-1-45064735
Fax: +33-1-45064735

5.2 Company Description



Elite Screens Inc. is a California based company that specializes in making quality commercial and home-theater projection screens for the retail and custom install sales channels. Our company began as an innovative venture into the projection market by manufacturing veterans from the AV/IT industry. Elite Screens quickly established itself as an entry level commercial and home theater screen manufacturer. This was accomplished by making a quality product cost effective with a focus on mass-producing screen material, sizes and aspect ratios that were most commonly preferred by AV customers in general. We focused on uniformity with what would match the mainstream demographic while including extra features that are not usually included by other manufacturers. In time, we progressed from just retail sales into the realm of custom installer/integrator manufacture as our numerous reviews and awards will attest. We stand behind our product and are so certain of customer satisfaction with the quality of our product that we offer a 2-year manufacturer's warranty which is twice the industry standard.

In our continued devotion to excellence in products and service, we are committed to implementing green practices with our production. We have adopted manufacturing methods that promote conservative regulation of our energy needs. Our simple product designs combined with the expertise of our permanent staff ensures that our entire line of products are made by experienced hands devoted to the high standards of today's audio-video consumer.

###