

REFLEXION SERIES

Section 1: Screen Design

1.1 What is it for?

The Reflexion Series is a portable front projection screen for indoor or outdoor movie watching. It can also be used in conference rooms, training rooms, and educational facilities for various presentations. It's designed for portable presentations and as an alternative to a permanently mounted screen on a wall or ceiling.

1.2 How does it work?

The Reflexion series is a manually operated floor-rising screen. It utilizes a vertical telescoping support bar in which the screen material is hanged from. A locking sleeve ring allows various height settings to accommodate your application's height requirements. The Reflexion series also includes adjustable base feet to achieve a leveled ground installation. The GREENGUARD certified MaxWhite material includes left, right, top, and bottom black masking borders which helps increase picture contrast and absorbs projector overshoot.

1.3 Diagonal Sizes Available

110" in 16:9 HDTV aspect ratio

100" and 120" 4:3 in NTSC aspect ratio

Section 2: Screen Material

2.1 Characteristics

2.1.1 Front Projection Screen Material

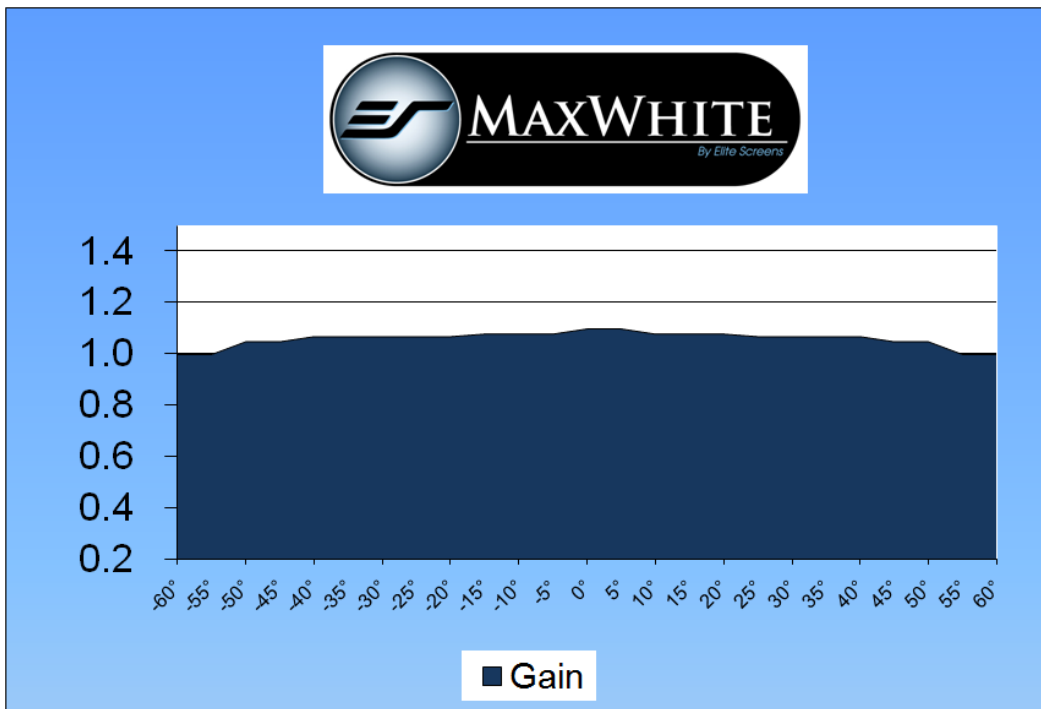
MaxWhite Screen Material is the most versatile screen surface for front projection presentations. This material provides the widest possible viewing angles with perfect diffusion uniformity while giving precise definition, color reproduction and ample black & white contrast. Screen Surface has black-backing to avoid light penetration and can be cleaned safely with mild soap and water. Woven screen material is a, multi-layer, cross-array coated with a matte white reflective compound.



2.1.2 Features & Benefits

- Gain: 1.1
- View Angle: 160° (80° LR)
- Screen Surface can be easily cleaned
- Multi-Layer Weave and Textured Surface Coating
- Mildew Resistant
- Black-Backing
- Greenguard Indoor Air Quality and Greenguard Children & Schools Certified

2.1.3 Gain Chart



Section 3: Specifications

3.1 Dimensions

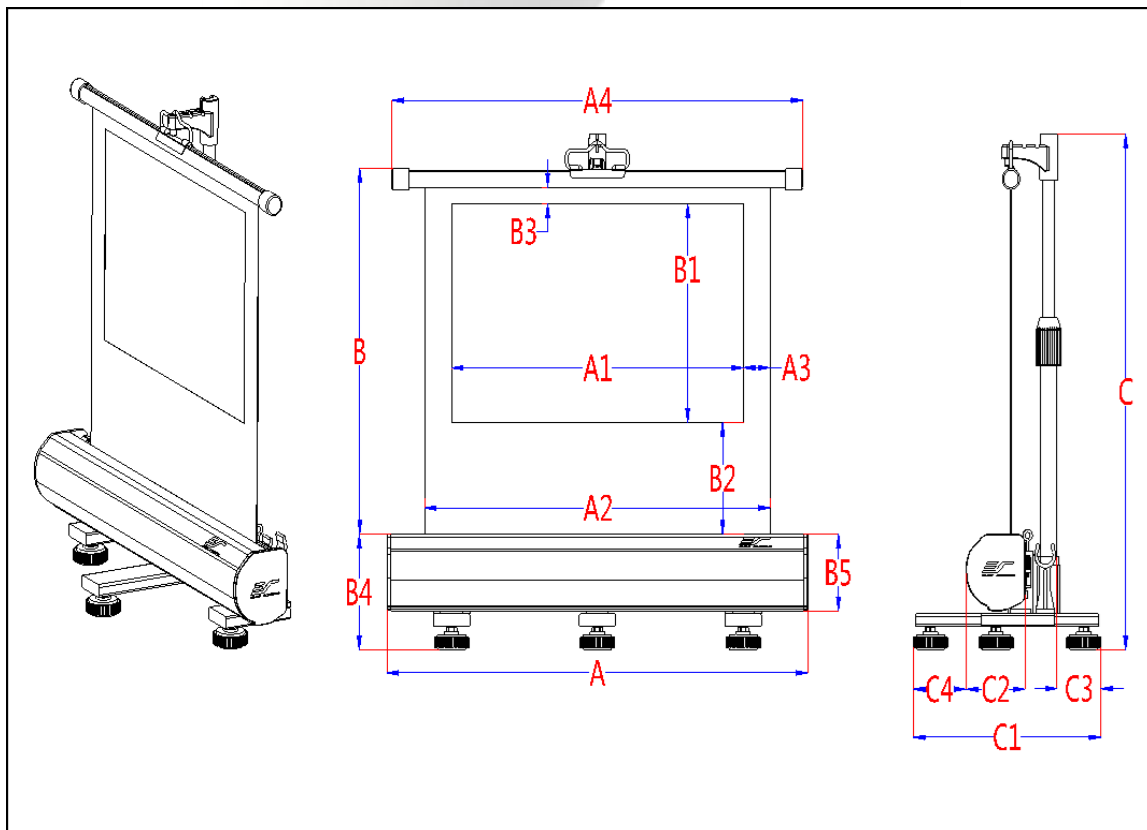
Reflexion Series Dimensions Table

Unit: mm																	
Model Numbers	Diagonal Size (Aspect Ratio)	Overall Length (A)	View Width (A1)	A2	A3	A4	B	View Height (B1)	Bottom black masking (B2)	Top black masking (B3)	B4	Case Height (B5)	C	C1	C2	C3	C4
FM110H	110"(16:9)	2617	2435	2511	38	2602	2495	1370	1016	89	132	88	2667	260	80	60	70
FM100V	100"(4:3)	2210	2032	2108	38	2195	2064	1524	431	89	132	88	2236	260	80	60	70
FM120V	120"(4:3)	2617	2438	2514	38	2602	2954	1829	1016	89	132	88	3126	260	80	60	70
Unit: inches																	
FM110H	110"(16:9)	103.0	95.9	98.9	1.5	102.4	98.2	53.9	40.0	3.5	5.2	3.5	105.0	10.2	3.1	2.4	2.8
FM100V	100"(4:3)	87.0	80.0	83.0	1.5	86.4	81.3	60.0	17.0	3.5	5.2	3.5	88.0	10.2	3.1	2.4	2.8
FM120V	120"(4:3)	103.0	96.0	99.0	1.5	102.4	116.3	72.0	40.0	3.5	5.2	3.5	123.1	10.2	3.1	2.4	2.8

The listed measurements are for general reference only. Please contact Elite Screens to verify product design and dimensions before attempting to integrate its products with any structural or furniture modification. Although a manufacturer may offer product advice, it may be taken or disregarded at the integrator's discretion. Elite Screens will not be held responsible or be otherwise liable for faulty installations.

Note: Data Error may be ±1"

3.2 Line Drawing



3.3 Pictures



Section 4: Execution

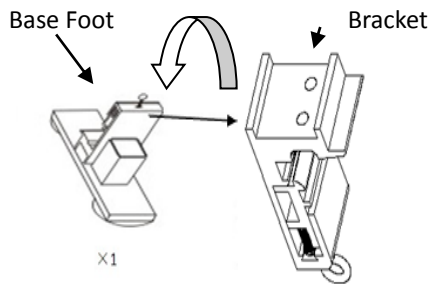
4.1 Submittals

- Users Guide
- Base feet x 3
- Telescope support bar

4.2 Assembly

Components Set up

Example of the installation bracket attached to the side of the base feet.

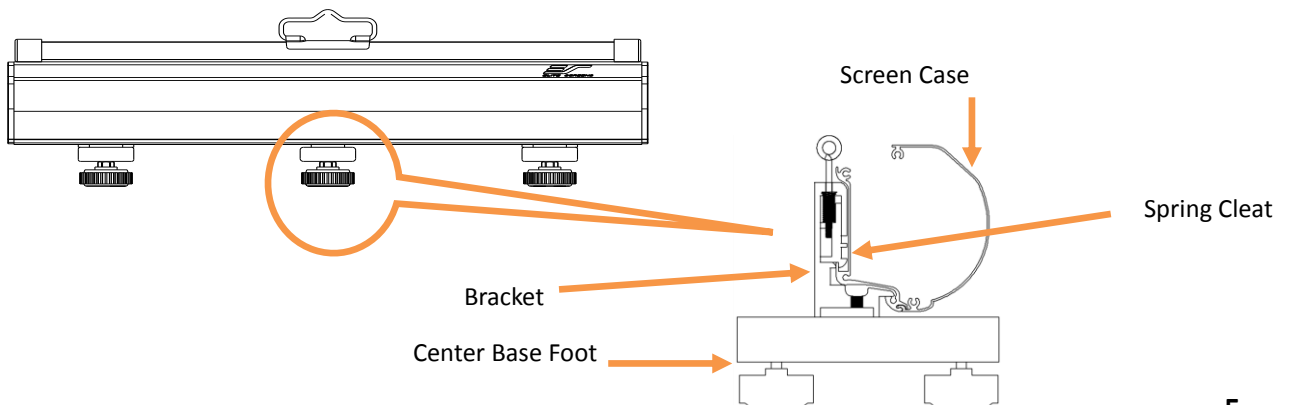
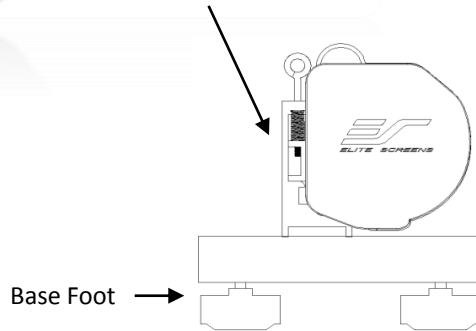
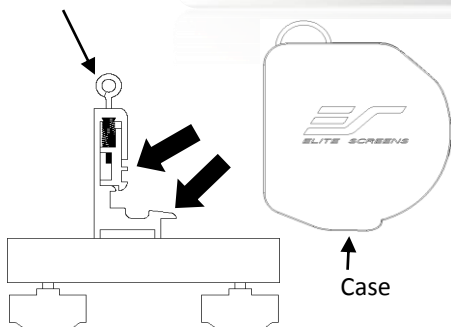


Installation

Each installation bracket has an adjustable spring-mounted cleat that can be loosened by a “loop” or eye-bolt. Pulling on the loop releases the cleat allowing the bracket to attach to the railing and click into place on the back of the casing. Gently ease together the brackets and railing on the back of the metal casing until you hear a “click” and double-check to make sure that the connections are firm.

Pull up on the spring-loaded ring to disengage the cleat on the bracket. Connect the cleat with the sliding rail on the back of the screen’s metal casing.

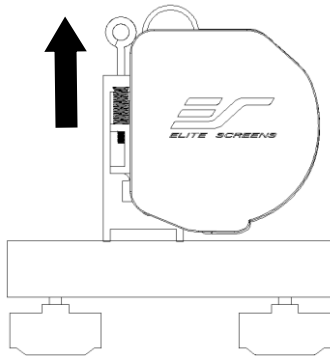
Release the ring and “click” the metal casing into position with the bracket.



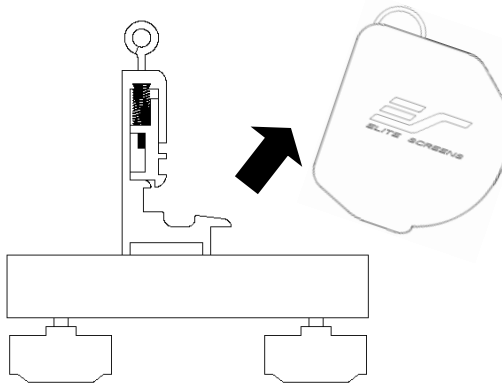
Detach the screen case from the base feet

Pull up the loop (eye-bolt) to release the spring-cleat and tilt the projection screen's metal casing forward away from the brackets. Lift the entire projection screen assembly up and away from the bracket/cleat assembly.

Pull up the suspension loop to disengage

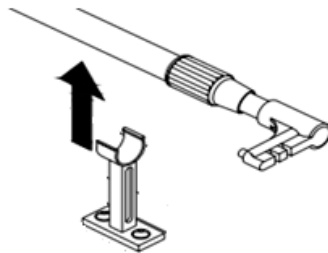


Lift screen assembly up and away from the base foot

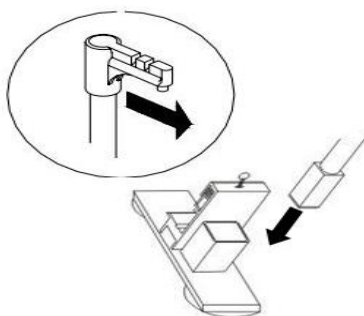


Erecting the upright support

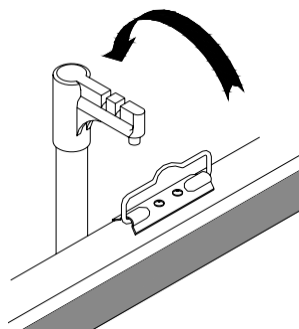
1. Remove the telescoping upright support from its cradle.



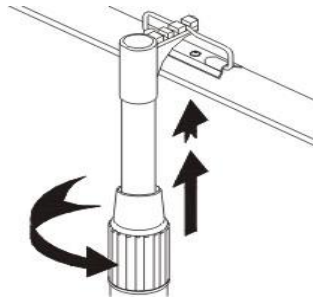
2. Insert the upright support into the socket on the center base foot.



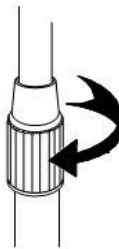
3. Hang the suspension handle of the screen from either of the notches of the upright support.



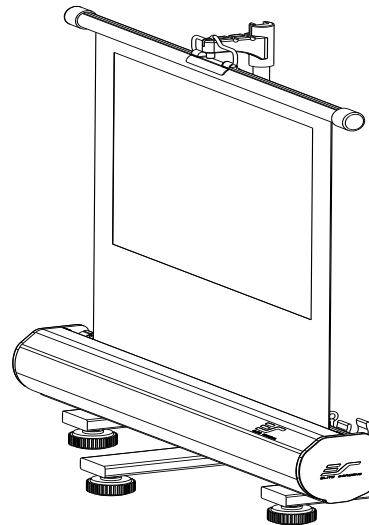
4. Twist the locking ring counter-clockwise to loosen the telescoping function of the upright support and raise the screen to its desired level.



5. Rotate the locking ring clockwise to lock the upright support at its desired height setting.

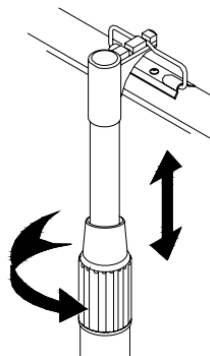


6. Here is a front view of the **Reflexion** projection screen when the set-up is complete.

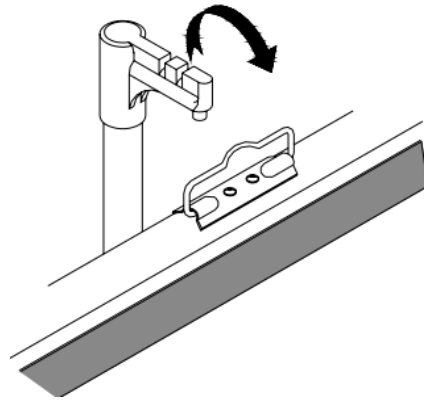


Retracting the screen

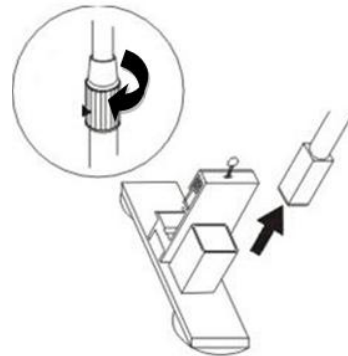
1. Take hold of the top span of the upright support and with your free-hand, twist the locking ring in the counter-clockwise direction. This will release the lock and allow the upright support to telescope back into its compact form.



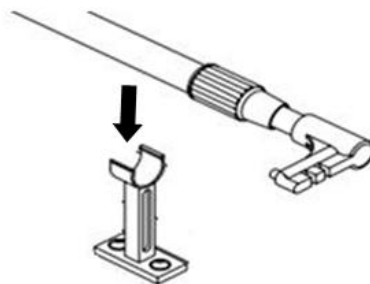
2. Lift the support handle up and out of the “notches” of the keystone eliminator and guide the material back down into the casing. Release the handle when the screen material has fully retracted.



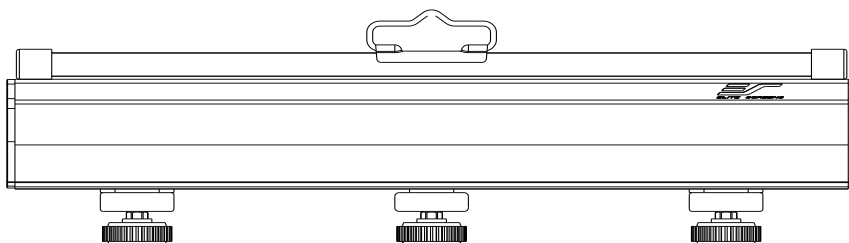
3. Rotate the locking ring clockwise to secure the upright support and remove it from the socket on the center base foot.



4. Return the upright hook to its cradle.



5. The **Reflexion** is now packed and ready for its next use.





Section 5: Markets With Product Availability

5.1 Where

America: Elite Screens, Inc.

info@elitescreens.com

www.elitescreens.com

Europe: Elite Screens GmbH

info@elitescreens.eu

www.elitescreens.eu

Asia: Elite Screens China Ltd.

info@elitescreens.com.cn

www.elitescreens.com.cn

France: Elite Screens France S.A.S

info.fr@elitescreens.com

www.elitescreens.com/fr

Asia: Elite Screens Taiwan Corp.

info@elitescreens.com.tw

www.elitescreens.com.tw

Asia: Elite Screens Japan Corp.

info@elitescreens.com.jp

www.elitescreens.jp



5.2 Company Description

Elite Screens Inc. is a California based company that specializes in making quality commercial and home-theater projection screens for the retail and custom install sales channels. Our company began as an innovative venture into the projection market by manufacturing veterans from the AV/IT industry. Elite Screens quickly established itself as an entry level commercial and home theater screen manufacturer. This was accomplished by making a quality product cost effective with a focus on mass-producing screen material, sizes and aspect ratios that were most commonly preferred by AV customers in general. We focused on uniformity with what would match the mainstream demographic while including extra features that are not usually included by other manufacturers. In time, we progressed from just retail sales into the realm of custom installer/integrator manufacture as our numerous reviews and awards will attest. We stand behind our product and are so certain of customer satisfaction with the quality of our product that we offer a 2-year manufacturer's warranty which is twice the industry standard.

In our continued devotion to excellence in products and service, we are committed to implementing green practices with our production. We have adopted manufacturing methods that promote conservative regulation of our energy needs. Our simple product designs combined with the expertise of our permanent staff ensures that our entire line of products are made by experienced hands devoted to the high standards of today's audio-video consumer.

###