



MANUAL SERIES

Section 1: Screen Design

1.1 What is it for?

Manually operated (non-motorized) retractable front projection screen that can be either wall or ceiling mounted. The Manual Screen is for commercial or residential front projection presentations.

1.2 How does it work?

The manual screen utilizes a spring loaded auto-locking system for variable height adjustments. Pulling the lanyard or center handle brings down the screen material to the desired height. Gently stopping on the downward pull and guiding the material as it rises a few inches into its locked position. A gentle pull on the center handle or lanyard will cause the locking mechanism to disengage allowing the spring loaded retraction mechanism to draw the screen back up into the casing.

1.3 Diagonal Sizes Available

- 71" – 170" in 1:1 aspect ratio
- 80" – 150" in 4:3 aspect ratio
- 84" – 150" 16:9 aspect ratio
- 86" – 139" 16:10 aspect ratio

Section 2: Screen Material

2.1 Characteristic

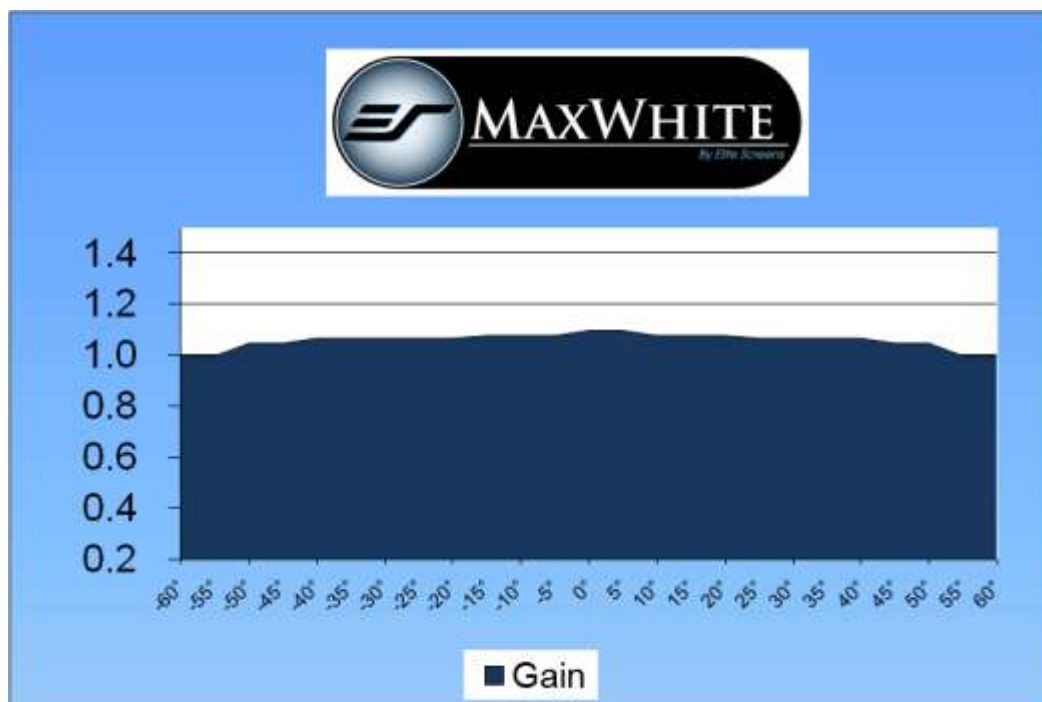
2.1.1 Matte White Front Projection Screen Material

MaxWhite Screen Material is the most versatile screen surface for front projection presentations. This material provides the widest possible viewer angles with perfect diffusion uniformity while giving precise definition, image color reproduction and black & white contrast. Screen Surface has black backing to avoid light penetration and can be cleaned safely with mild soap and water. Woven screen material is a, multi-layer, cross-array coated with a matte white reflective compound.



Features & Benefits

- Gain: 1.1
- View Angle: 160° (80° LR)
- Screen Surface can be easily cleaned
- Multi-Layer Weave and Textured Surface Coating
- Mildew Resistant
- Black Backing



Section 3: Specification

3.1 Dimensions

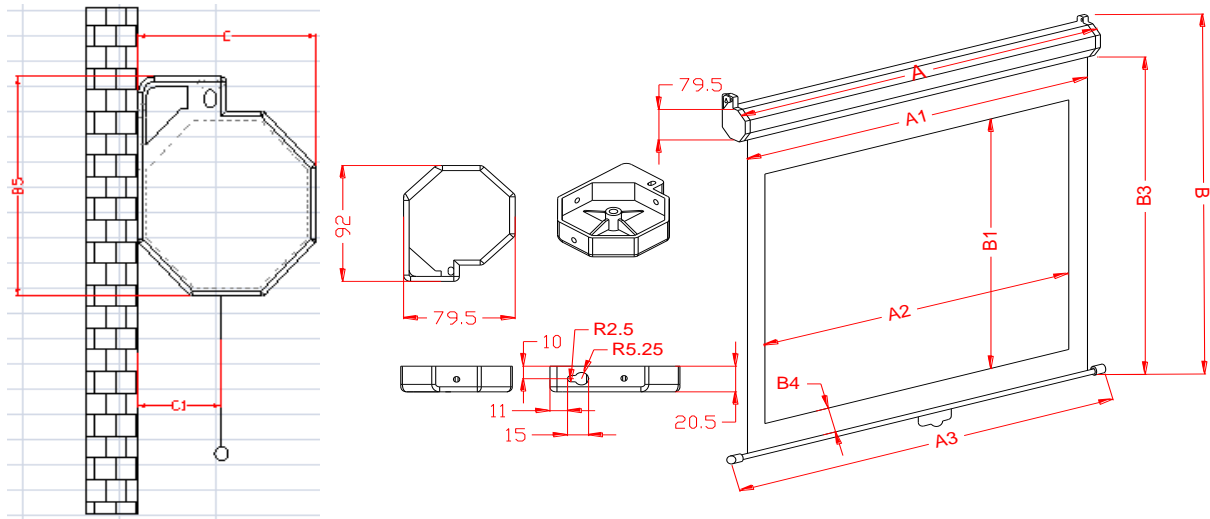
Unit: mm

Models	Diagonal Size (Aspect Ratio)	Case Length (A)	Screen Width (A1)	View Width (A2)	Weight (kg) Length (A3)	Bottom Edge Distance (B4)	Screen Material to Weight (kg) Height (B5)	View Height (B6)	Overall Height (B7)	End cap Height (B8)	End cap Width (C)	Distance from screen material to the wall (C1)
M80UWH	80"(16:9)	76.1	72.6	69.6	75.9	1.6	46.5	39.6	49.1	3.2	2.7	0.8
M84UWH	84"(16:9)	79.3	76.2	73.2	79.1	2.4	48.1	41.2	51.3	3.2	2.7	0.8
M84H-E30	84"(16:9)	79.3	76.2	73.2	79.1	2.4	73.6	41.2	78.9	3.2	2.7	0.8
M92UWH	92"(16:9)	85.3	83.2	80.2	85.1	2.4	52.0	45.1	55.3	3.2	2.7	0.8
M100UWH	100"(16:9)	93.5	90.2	87.2	93.3	2.4	55.9	49.0	59.2	3.2	2.7	0.8
M100H-E24	100"(16:9)	93.5	90.2	87.2	93.3	2.4	75.5	49.0	78.7	3.2	2.7	0.8
M106UWH	106"(16:9)	98.7	95.4	92.4	98.5	2.4	58.9	52.0	62.5	3.6	3.1	0.8
M120H	120"(16:9)	110.9	107.6	104.6	110.7	2.4	65.7	58.8	69.4	3.6	3.1	0.8
M120H-E24	120"(16:9)	110.9	107.6	104.6	110.7	2.4	85.3	58.8	88.9	3.6	3.1	0.8
M135H	135"(16:9)	123.9	120.7	117.7	123.8	2.4	73.1	66.2	77.2	4.1	3.5	0.8
M150H	150"(16:9)	137.2	133.7	130.7	137.0	2.4	80.5	73.5	84.6	4.1	3.5	0.8
M80NWV	80"(4:3)	70.3	67.0	64.0	70.2	2.4	54.9	48.0	58.1	3.2	2.7	0.8
M84NWV	84"(4:3)	73.5	70.2	67.2	73.3	2.4	55.8	50.4	59.1	3.2	2.7	0.8
M100V	100"(4:3)	85.3	83.0	80.0	85.1	2.4	66.9	60.0	70.2	3.2	2.7	0.8
M120V	120"(4:3)	102.3	99.0	96.0	102.1	2.4	78.9	72.0	82.6	3.6	3.1	0.8
M135V	135"(4:3)	114.4	111.0	108.0	114.3	2.4	87.9	81.0	92.0	4.1	3.5	0.8
M150V	150"(4:3)	126.5	123.0	120.0	126.3	2.4	96.9	90.0	101.1	4.1	3.5	0.8
M71S	71"(1:1)	66.1	63.2	60.2	65.9	2.4	57.1	50.2	60.4	3.2	2.7	0.8
M85S	85"(1:1)	66.0	63.1	60.1	65.9	2.4	67.0	60.1	70.3	3.2	2.7	0.8
M99S	99"(1:1)	76.3	73.0	70.0	76.1	2.4	75.4	70.0	79.1	3.6	3.1	0.8
M113S	113"(1:1)	86.3	82.9	79.9	86.1	2.4	86.9	79.9	90.5	3.6	3.1	0.8
M119S	119"(1:1)	90.3	87.0	84.0	90.2	2.4	90.6	84.1	94.2	3.6	3.1	0.8
M136S	136"(1:1)	102.3	99.2	96.2	102.1	2.4	103.1	96.2	106.7	3.6	3.1	0.8
M170S	170"(1:1)	127.7	123.0	120.0	127.6	2.4	126.9	120.0	131.1	4.1	3.5	0.8
M86UWX	86"(16:10)	79.4	75.9	72.9	79.3	2.4	52.5	45.6	55.7	3.2	2.7	0.8
M94UWX	94"(16:10)	86.3	82.7	79.7	86.1	2.4	56.7	49.8	60.0	3.2	2.7	0.8
M109UWX	109"(16:10)	99.0	95.4	92.4	98.9	2.4	64.2	57.8	68.3	3.6	3.1	0.8
M128UWX	128"(16:10)	115.1	111.5	108.5	114.9	2.4	74.8	67.8	78.4	3.6	3.1	0.8
M139UWX	139"(16:10)	124.4	120.9	117.9	124.3	2.4	80.6	73.7	84.2	3.6	3.1	0.8

Unit: inches

Models	Diagonal Size/Aspect Ratio	Case Length (A)	Screen Width (A1)	View Width (A2)	Weight (kg) Length (A3)	Bottom Edge Distance (B4)	Screen Material to Weight (kg) Height (B5)	View Height (B6)	Overall Height (B7)	End cap Height (B8)	End cap Width (C)	Distance from screen material to the wall (C1)
M80UWH	80"(16:9)	1933	1844	1768	1928	41	1181	1006	1247	81	69	20
M84UWH	84"(16:9)	2014	1936	1860	2010	62	1222	1046	1304	82	69	20
M84H-E30	84"(16:9)	2014	1936	1860	2010	62	1870	1046	1952	82	69	20
M92UWH	92"(16:9)	2166	2113	2037	2162	62	1322	1146	1404	82	69	20
M100H	100"(16:9)	2374	2290	2214	2370	62	1421	1245	1503	82	69	20
M100H-E24	100"(16:9)	2374	2290	2214	2370	62	1917	1245	1999	82	69	20
M106UWH	106"(16:9)	2506	2423	2347	2502	62	1496	1320	1588	92	80	20
M120H	120"(16:9)	2816	2733	2657	2812	62	1670	1494	1762	92	80	20
M120H-E24	120"(16:9)	2816	2733	2657	2812	62	2166	1494	2258	92	80	20
M135H	135"(16:9)	3148	3065	2989	3144	62	1857	1681	1962	105	88	20
M150H	150"(16:9)	3484	3397	3321	3480	62	2044	1868	2149	105	88	20
M80NWV	80"(4:3)	1786	1702	1626	1782	62	1395	1219	1477	82	69	20
M84NWV	84"(4:3)	1867	1783	1707	1863	62	1418	1280	1500	82	69	20
M100V	100"(4:3)	2166	2108	2032	2162	62	1700	1524	1782	82	69	20
M120V	120"(4:3)	2598	2514	2438	2594	62	2005	1829	2097	92	80	20
M135V	135"(4:3)	2907	2819	2743	2903	62	2233	2057	2338	105	88	20
M150V	150"(4:3)	3212	3124	3048	3208	62	2462	2286	2567	105	88	20
M71S	71"(1:1)	1425	1351	1275	1421	62	1451	1275	1533	82	69	20
M85S	85"(1:1)	1677	1603	1527	1673	62	1703	1527	1785	82	69	20
M99S	99"(1:1)	1938	1854	1778	1934	62	1916	1778	2008	92	80	20
M113S	113"(1:1)	2192	2106	2030	2188	62	2206	2030	2298	92	80	20
M119S	119"(1:1)	2294	2210	2134	2290	62	2300	2137	2392	92	80	20
M136S	136"(1:1)	2598	2519	2443	2594	62	2619	2443	2711	92	80	20
M170S	170"(1:1)	3244	3124	3048	3240	62	3224	3048	3329	105	88	20
M86UWX	86"(16:10)	2018	1928	1852	2014	62	1334	1158	1416	82	69	20
M94UWX	94"(16:10)	2192	2101	2025	2188	62	1441	1265	1523	82	69	20
M109UWX	109"(16:10)	2514	2424	2348	2511	62	1630	1467	1735	92	80	20
M128UWX	128"(16:10)	2923	2833	2757	2919	62	1899	1723	1991	92	80	20
M139UWX	139"(16:10)	3160	3070	2994	3156	62	2047	1871	2139	92	80	20

3.2 Drawing



3.3 Pictures



Section 4: Execution

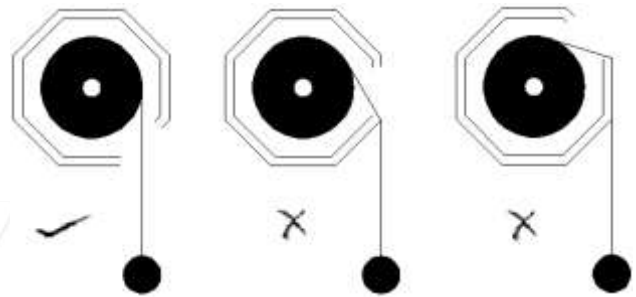
4.1 Submittals

- Users Guide
- Product Catalog
- Lanyard

4.2 Caution

Always pull the screen down or let it up in either a steep incline or a 90-degree vertical angle. Do not allow the screen to touch the screen case when the screen goes up or comes down to avoid damaging the screen material.

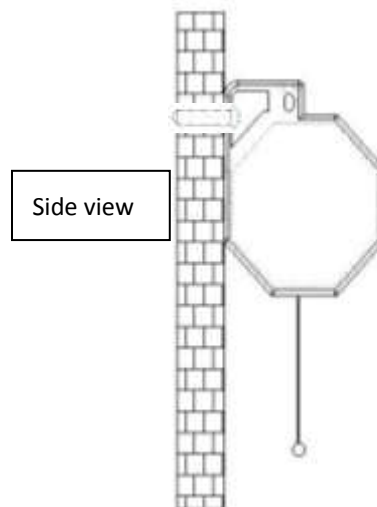
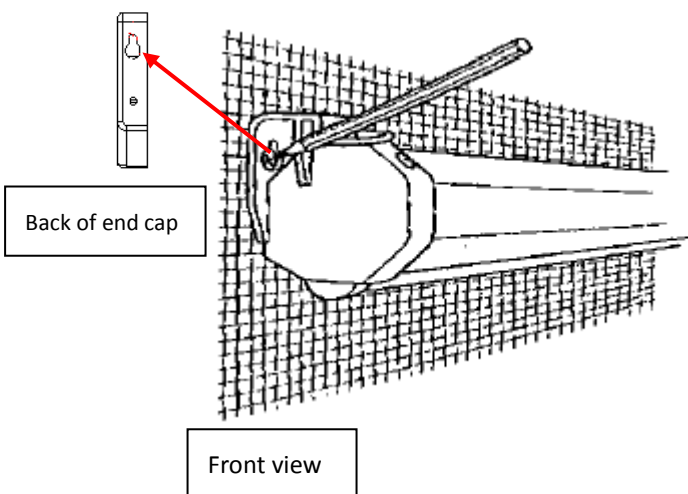
**From left to right, the first illustration shows the correct method while the center and right images show the wrong way that will damage the material.*



4.3 Installation

Flush Wall Mounting (hardware not included)

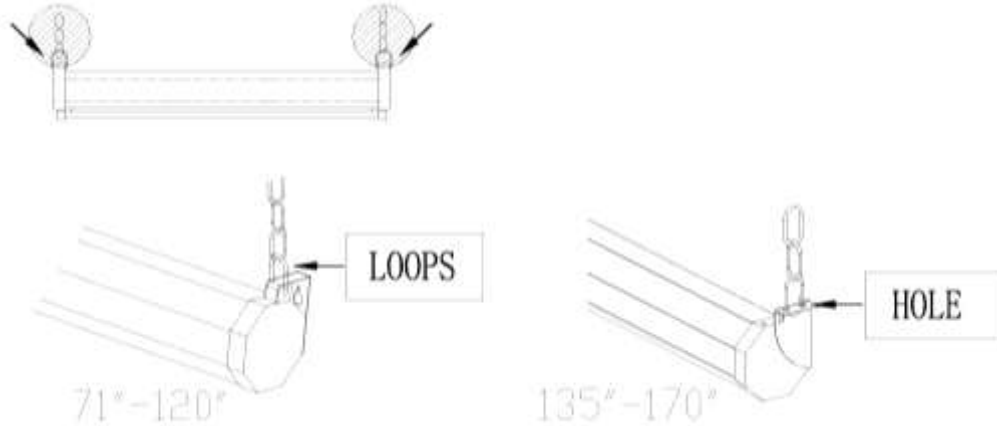
1. Mark the location of where the screen is to be installed for the pre-drilled hole.
2. After marking the area and drilling the hole, insert the proper screw into the drilled hole and leave about 1/8" of an inch from the wall to mount the screen.
3. Mount your screen from the keyhole located on back of screen's left and right end cap.



Ceiling Mounting (additional hardware required)

Optional ceiling installation using a chain to hang the screen from the ceiling.

1. You can also hang the screen on a ceiling by using a chain (not included) and hang it by the two loops (models 71-120) located on each end of the case or by the end cap's ears (models 135-170).



Section 5: Markets With Product Availability

5.1 Where

- **America: Elite Screens Inc**
16410 Manning Way
Cerritos, CA 90703
Tel: 877-511-1211
Fax: 562-483-8498
info@elitescreens.com
www.elitescreens.com
- **Asia: Elite Screens China Ltd.**
Longxi Duimianling Industry Zone
Longcheng, Longgang District,
ShenZhen GuangDong, China
Tel: +86-(0)755-8461-7989
Fax: +86-(0)755-8461-7669
info@elitescreens.com.cn
www.elitescreens.com.cn
- **Asia: Elite Screens Taiwan Corp.**
4F., No. 42-1 Wuguan Rd.
Wuguan Township Taipei
County 248, Taiwan (R.O.C.)
Tel: +886+2+8990-1999
Fax: +886+2+8990+1366
info@elitescreens.com.tw
www.elitescreens.com.tw
- **Europe: Elite Screens GmbH**
Lübecker Straße 1
22087 Hamburg, Germany
Tel: +49-40-30392494
Fax: +49-40-49219200
info@elitescreens.eu
www.elitescreens.eu
- **France: Elite Screens France S.A.S**
11, Allée William Penn
92150 Suresnes, France
Tel: +33-1-45064735
Fax: +33-1-4506473
info.fr@elitescreens.com
www.elitescreens.com/fr



5.2 Company Description

Elite Screens Inc. is a California based company that specializes in making quality commercial and home-theater projection screens for the retail and custom install sales channels. Our company began as an innovative venture into the projection market by manufacturing veterans from the AV/IT industry. Elite Screens quickly established itself as an entry level commercial and home theater screen manufacturer. This was accomplished by making a quality product cost effective with a focus on mass-producing screen material, sizes and aspect ratios that were most commonly preferred by AV customers in general. We focused on uniformity with what would match the mainstream demographic while including extra features that are not usually included by other manufacturers. In time, we progressed from just retail sales into the realm of custom installer/integrator manufacture as our numerous reviews and awards will attest. We stand behind our product and are so certain of customer satisfaction with the quality of our product that we offer a 2-year manufacturer's warranty which is twice the industry standard.

In our continued devotion to excellence in products and service, we are committed to implementing green practices with our production. We have adopted manufacturing methods that promote conservative regulation of our energy needs. Our simple product designs combined with the expertise of our permanent staff ensures that our entire line of products are made by experienced hands devoted to the high standards of today's audio-video consumer.

###