



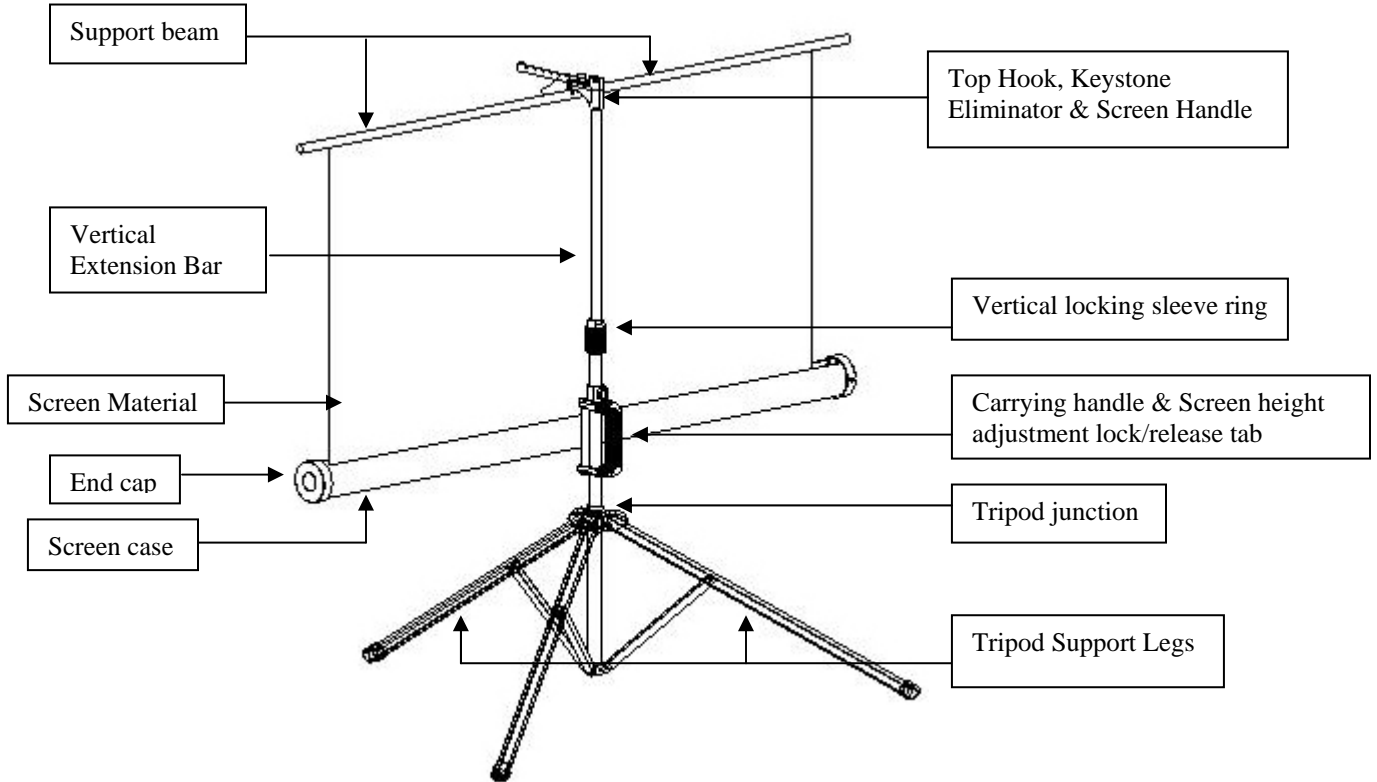
Tripod Portable Projection Screen

Elite Tripod Series

USER'S GUIDE



Tripod Screen Parts Identification



Using the Screen

A. Setting up the screen:

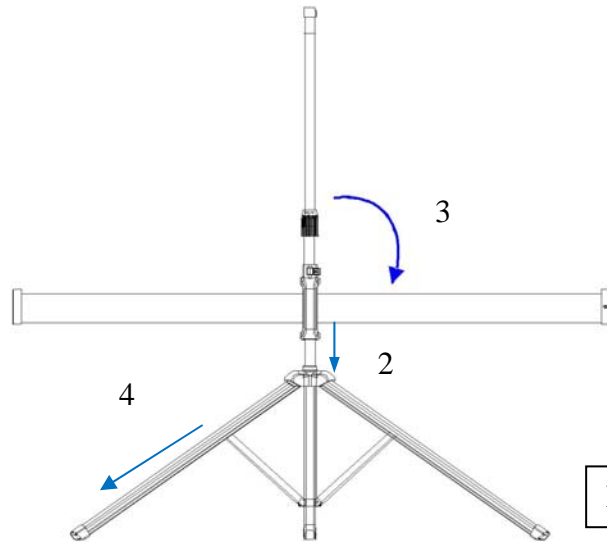
Follow the steps below and Fig. 1 & 2.

1. Place the screen in an upright position (fig.1) with the legs toward the ground.
2. Deploy the Tripod Support legs by pushing down on the Tripod Junction.
3. Turn the tripod's screen casing in a 90-degree horizontal position so that the screen casing is now parallel to the ground with the screen handle facing the bottom of the top hook.
4. Completely extend the legs as much as possible so they are stable and position them away from objects that may interfere with their balance. **DO NOT** stand the tripod on an unstable platform to avoid an injury should the tripod screen collapse.

Fig.1



Fig. 2



B. Preparing the tripod screen for projection:

Follow the steps below and Fig. 3.

1. Pull the screen handle up vertically and hook the screen handle on the **Top Hook**.

**Note: Use the Keystone Eliminator to prevent “Keystone Effect” from occurring. Keystone Effect is caused when a projector presents its image at a downward angle causing a trapezoid-shaped image to appear on the screen. The Keystone Eliminator is designed to eliminate that effect by sloping the screen forward.*

2. Twist the **Vertical Locking Sleeve Ring counter-clockwise** to unlock the current position of the **Vertical Extension Bar** and raise it as necessary to the desired height.

3. Pull the **Screen Height Adjustment Lock/Release** tab out (to the left) located just above the **Carrying Handle** to raise or lower the bottom of the. Once the desired height has been set, push the tab in to lock the position in place.

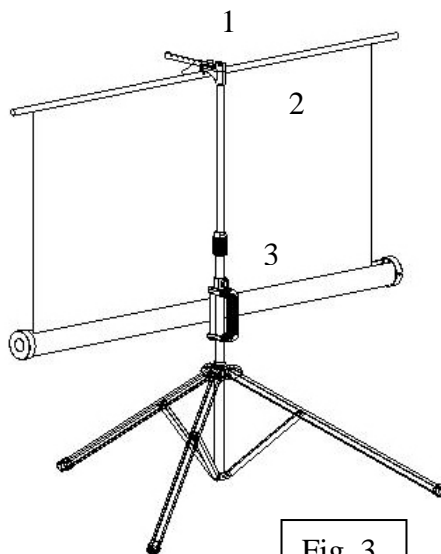


Fig. 3

C. Disassembling the screen:

Follow the steps below and Fig. 4.

1. Unlock the **Adjustment Handle** by pulling the locking tab to the **left** and slowly slide the handle all the way down to bring down the position of the screen's case.
2. Hold the **Extension Bar** and twist the **Vertical Locking Sleeve Ring** **counter-clockwise** to unlock and release the position of the extension bar. Once the extension bar has been brought all the way down, unhook the screen material from the **Top Hook** and slowly retract the screen back into the case.
** Note: It is very important to remember to hold the extension bar first and then unlock the sleeve to prevent the extension bar from slamming and damaging the screen.*
3. Turn the screen's case **vertically clockwise** and insert the **Top Hook's** bottom pin to lock into the screen's end cap hole.
4. Close the tripod legs by pushing them in. Lastly, tighten the **Vertical Locking Sleeve Ring** by twisting it **clockwise**.

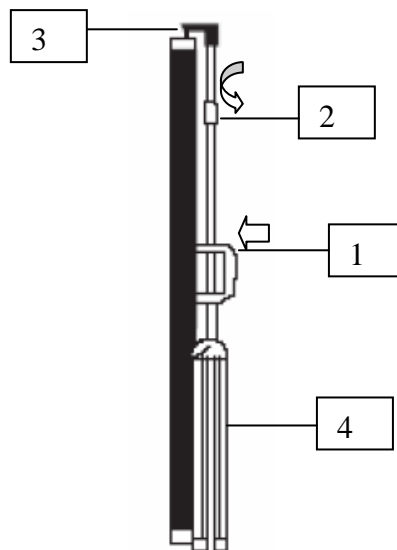


Fig. 4

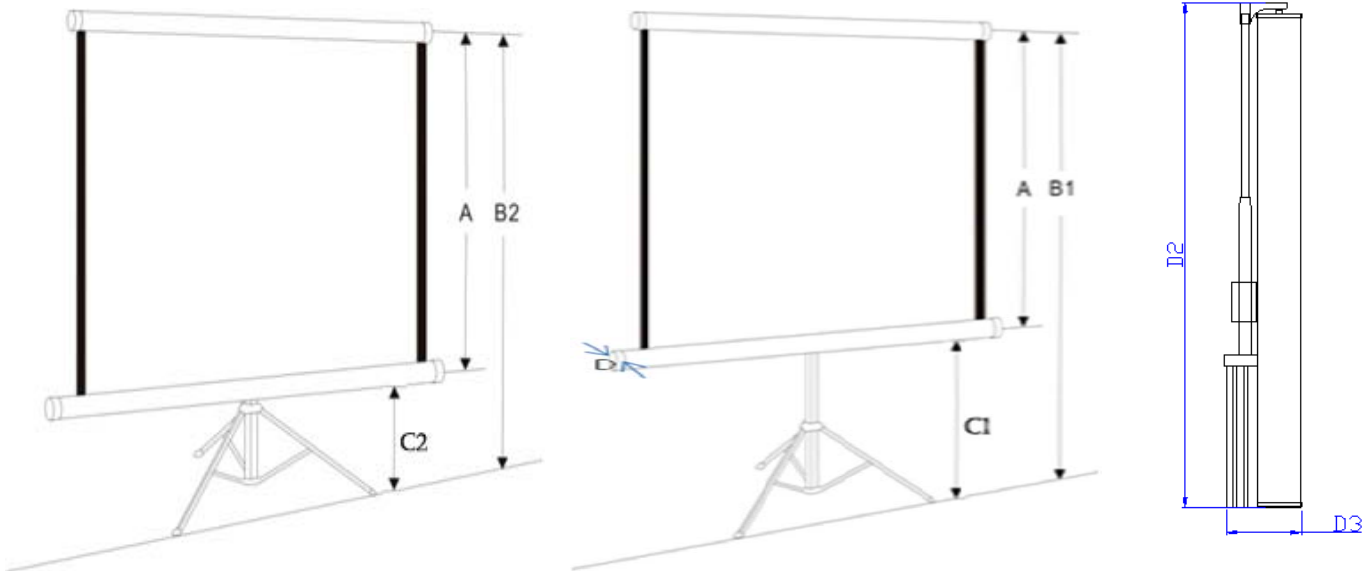
Note: To ensure the screen is stable, extend the tripod's legs as much as possible.
Do not fold the screen or allow any sharp objects to touch the screen's surface.
Clean the screen surface often when needed.
Careful use will extend the lifetime of this product.

Tripod Series Dimension Table

Unit: inches										
Model	Nominal Diagonal	View Size H x W	Screen Size H x W (A)	Top of Screen at Highest Level (B1)	Top of screen at lowest level (B2)	Screen case at highest point (C1)	Screen case at lowest point (C2)	End cap size (D)	Case length closed (D2)	Case width closed (D3)
T71NWS1	71"(1:1)	50"x50"	53"x53"	111.8	71.5	35.6	16.9	2.7	58.0	5.9
T71UWS1	71"(1:1)	50"x50"	53"x53"	111.8	71.5	35.6	16.9	2.7	58.0	5.9
T85NWS1	85"(1:1)	60"x60"	63"x63"	128.7	87.8	37.5	16.9	2.7	68.0	5.9
T85UWS1	85"(1:1)	60"x60"	63"x63"	128.7	87.8	37.5	16.9	2.7	68.0	5.9
T99NWS1	99"(1:1)	70"x70"	73"x73"	147.2	97.6	35.5	16.9	2.7	78.0	5.9
T99UWS1	99"(1:1)	70"x70"	73"x73"	147.2	97.6	35.5	16.9	2.7	78.0	5.9
T113NWS1	113"(1:1)	80"x80"	83"x83"	148.4	107.5	33.4	16.9	2.7	88.0	5.9
T113UWS1	113"(1:1)	80"x80"	83"x83"	148.4	107.5	33.4	16.9	2.7	88.0	5.9
T119NWS1	119"(1:1)	84"x84"	87"x 87"	148.4	111.8	37.1	16.9	2.7	91.9	5.9
T119UWS1	119"(1:1)	84"x84"	87"x 87"	148.4	111.8	37.1	16.9	2.7	91.9	5.9
T136NWS1	136"(1:1)	96"x96"	99"x99"	148.4	123.6	40.8	16.9	2.7	104.0	5.9
T136UWS1	136"(1:1)	96"x96"	99"x99"	148.4	123.6	40.8	16.9	2.7	104.0	5.9
T84UWV1	84"(4:3)	50"x67"	55"x70"	118.1	79.9	35.4	16.9	2.7	75.0	5.9
T100UWV1	100"(4:3)	60"x80"	65"x83"	139.4	89.8	53.4	16.9	2.7	88.0	5.9
T120NWV	120"(4:3)	72"x96"	77"x99"	148.4	102.0	65.0	16.9	2.7	104.0	5.9
T120UWV1	120"(4:3)	72"x96"	77"x99"	148.4	102.0	65.0	16.9	2.7	104.0	5.9
T92UWH	92"(16:9)	45"x80"	50"x83"	124.4	74.8	68.3	16.9	2.7	88.0	5.9
T100UWH	100"(16:9)	49"x87"	54"x90"	128.3	78.7	68.3	16.9	2.7	95.2	5.9
T120UWH	120"(16:9)	59"x105"	64"x108"	138.2	89.0	62.4	16.9	2.7	112.6	5.9

*Measurement dimensions are intended as a reference only and subject to change without notice

Note:Data Error may be ±1"



Warranty Information

- Two (2) year parts and labor warranty from defects in workmanship from purchase date as follows (except for refurbished units as specified below):
- **Refurbished units** carry a **90-day** parts and labor warranty.
- **Demo units or open box items** are **AS IS** items and do not carry a warranty.
- Each party will be responsible for one way shipping during the warranty period.
- **DOA (Defective On Arrival): Must be reported within 7 business days of receipt.** A RMA (Return Merchandise Authorization) number must be issued in order to process a replacement. Elite Screens will replace the DOA (Defective On Arrival) unit with a brand new replacement *(see exceptions below) after the DOA unit is received and/or confirmed defective. Once the product is received, Elite Screens will send out a new *unit to the customer by ground service (subject to inventory availability). Should a problem be reported after the 7-day grace period, the item must be shipped to us for warranty repair.
- **Missing Parts** must be reported within the 7-day (DOA) grace period. If reported after 7 days, customer will be only be responsible for shipping and handling fees. If reported after 30 days of receipt, customer is responsible for cost of the parts and shipping & handling fees. *A new or refurbished replacement will be sent out to the customer depending on the type of purchase (new or refurbished) or based on stock availability.
- **Please do not return** any unauthorized items to Elite Screens, as they will be refused at shipper's expense.
- The RMA number must be included on the outside label of your shipping box and shipping documents. Our warehouse is not authorized to accept returns without an RMA number on the shipping label. RMA numbers are valid for 45 days from the date of issue.

*A new or refurbished replacement will be sent out to the customer depending on the type of purchase (new or refurbished) or based on stock availability.

Warranty Policy-Damages

- All shipping damages must be reported within 7 business days upon receipt of the Product. After 7 days customer is responsible for all incurred costs
- Inspect all shipments upon arrival. If damage or loss is apparent upon delivery do not accept the shipment until you make a notation of the damage on all copies of the carrier's delivery receipt and have the driver sign all copies to acknowledge the damage. Do not sign a clear receipt for damaged or missing items or there will be no basis for a claim. Ask the carrier to make a detailed inspection of the damage. File a claim with the carrier. Cooperate and follow up as necessary to secure final settlement
- Immediately advise Elite Screens of all damages or problems. Do not return merchandise to Elite Screens. File your claim with the carrier enclosing copies of the bill of lading (signed by the driver) and inspection report as support. Keep all packing materials and boxes with the damaged product. **DO NOT** throw anything away. Although Elite Screens will provide any assistance possible we can not be responsible for the actual filing of claims on the carrier or accept liability for non-collectable freight claims

For Warranty and Service requests please fill out a RMA /Service Form at:

http://www.elitescreens.com/service_form.htm.

Please Visit this link for full Warranty information:

<http://www.elitescreens.com/service.htm>

REMEMBER TO REGISTER YOUR WARRANTY AT
WWW.ELITESCREENS.COM/REGISTER.HTM

US & Canada Tech Support & Warranty Claim

Please contact us at service@elitescreens.com or call +1 877-511-1211 #3 Service

Europe Tech Support & Warranty Claim

Please contact us at service@elitescreens.eu or call +49-(0) 40-30392958

Asia Tech Support & Warranty Claim

Please contact us at service@elitescreens.com.cn or call +86-(0) 755-8461-7989

Taiwan Tech Support & Warranty Claim

Please contact us at service@elitescreens.com.tw or call +886-(02) 2747-8979

America:

Elite Screens Inc

16410 Manning Way
Cerritos, CA 90703 USA
Tel: +1-562-483-8198 (877-511-1211)
Fax: +1-562-483-8498
info@elitescreens.com
www.elitescreens.com

Europe:

Elite Screens Europe GmbH

Elite Screens Europe GmbH
Lübecker Straße 1
22087 Hamburg, Germany
Tel: +49-40-30392494
Fax: +49-40-49219200
info@elitescreens.eu
www.elitescreens.eu

Asia:

Elite Screens China Corp.

Longxi Duimianling Industry Zone
Longcheng Longgang District,
ShenZhen GuangDong, China
Tel: +86-(0)755-8461-7989
Fax: +86-(0)755-8461-7669
info@elitescreens.com.cn
www.elitescreens.com.cn

Latin America Contact:

erik.garcia@elitescreens.com

East Asia Contact:

info.ea@elitescreens.com

India Contact:

info.india@elitescreens.com

Japan Contact:

info.japan@elitescreens.com

Taiwan:

Elite Screens Taiwan Co. Ltd.

No.38, Alley 22, Lane 66, Sec. 5, Nanjing E.
Rd., Songshan District, Taipei City 105,
Taiwan
Tel: +886-(02)2747-8979
Fax: +886-(02)2747-8978
info@elitescreens.com.tw
www.elitescreens.com.tw